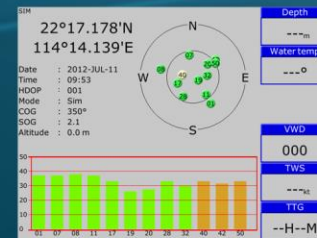
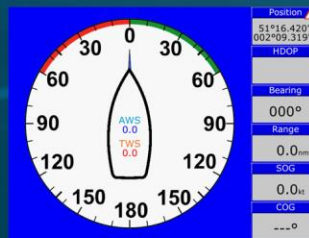
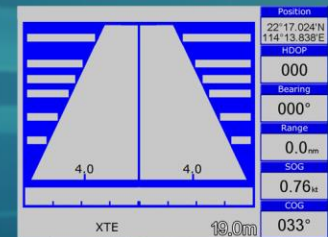
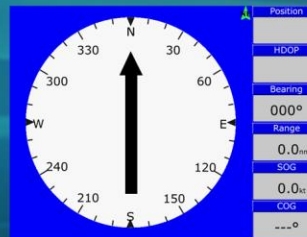
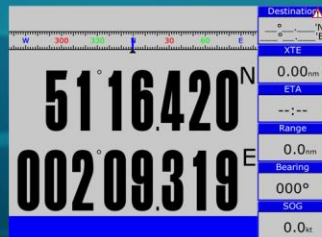


ONWA[®]

Marine Electronics

7-inch GPS Chart Plotter with Internal GPS Antenna and Built-in AIS Transponder

Model: **KP-708A**



- Easy to Operate
- 7-inch high resolution (800x600 pixels) LCD
- Built-in Class B AIS Transponder
- Choice of Internal or External GPS Antenna (specify when ordering)
- Supports Dual Mapping System: K-Chart and C-Map
- Ingress Protected to IP67

PLOTTER CHARACTERISTICS

Waypoints/icons	12000 user waypoints with name, symbol 3 system waypoints: MOB, Start, Cursor 10 proximity waypoints
Routes	Max 30 routes. And up to 170 points for each one
Tracks	8000 points automatic track log; 10 saved tracks (up to 8000 track points each) Let you retrace your path in both directions
Alarms	XTE, Anchor drag, arrival, speed, voltage, proximity waypoint and time, AIS alarm
Palette	Normal Daylight exposed to sunlight Night in dark environment NOAA paperchart colors
Tides	Tide data
Projection	Mercator projection
Position format	Degree of minutes and UTM
Basemap	Built-in ONWA K-Chart
External Map	SD Cards slot for C-Map MAX and ONWA K-Chart
User data storage	Internal backup of user settings
Plot Interval	5s to 60min 0.01nm to 10nm Automatic way
Plotting scales	0.001nm to 1000nm
Nav Data	Inputs: \$--GGA, \$--GLL, \$--GSA, \$--GSV, \$--RMC, \$--VTG, \$--ZDA, \$--VWR, \$--VWT, \$--MWD, \$--VPW Outputs: GGA, GLL, RMC, AAM, APA, APB, BOD, BWC, BWR, DBT, DPT, HDT, MTW, RMB, TLL, VTG, WPL, XTE, ZDA, ZTG, ZDL, MWD, VPW, VWR, VWT Outputs for autopilot: \$--APB, \$--BOD, \$--XTE, \$--APA
Perspective View	On/off
Celestial	Sunrise/Sunset Moonrise/Moonset

Channel step	25KHz
Modulation modes	5KHz GMSK (AIS, TX AND RX) 25KHz AFSK (DSC, RX only) 25KHz AFSK (DSC, RX only)
Bit rate	9600 b/s +/- 50 ppm (GMSK) 1200 b/s +/- 30 ppm (FSK)
9. RX sensitivity	Sensitivity -107dBm 25KHz Message error rate less than: 2% Co-channel 10dB IMD 62dB Blocking 84dB

PHYSICAL

Size	243mm(H)X155mm(W)X82mm(D)
Weight	0.6kg
Display	7-inches ColorTFT day-view LCD 800X600 pixels
Input & Output Port:	One opto-isolated input Port One RS232 Output Port
Waterproofing	Display unit: IPX6 Antenna unit: IPX7
Temperature range	Display unit: -15°C to +55°C° Antenna unit: -25°C to +70°C

GPS RECEIVER CHARACTERISTICS

Receiver	50 parallel channel GPS receiver continuously tracks and uses up to 50 satellites to compute and update your position
Acquisition time	Cold start: 60 seconds average
Hot start	45 second average
Update rate	1/second or 10/second (selectable), continuous
Position	2.5 meters(95%) without S/A
Velocity	0.1 meter/sec without S/A
Time	100ns synchronized to GPS time
Dynamics	Altitude: 50,000m Max
Velocity	500 m/s
Acceleration	4g Max
Datum	WGS 84 and user define

POWER SUPPLY

10.5 to 35VDC, current drain<1.0A at 12V

AIS INTERFACE

Data input	NMEA0183, RS232
Baud rate	38,400

AIS CHARACTERISTICS

Transmitter x 1	(For KP-708A ONLY)
Receiver x 2	(one time shared between AIS/DSC)
Frequency	156.025 to 162.025 MHz in 25KHz steps
Output power	2 watts typical
Channel bandwidth	25KHz

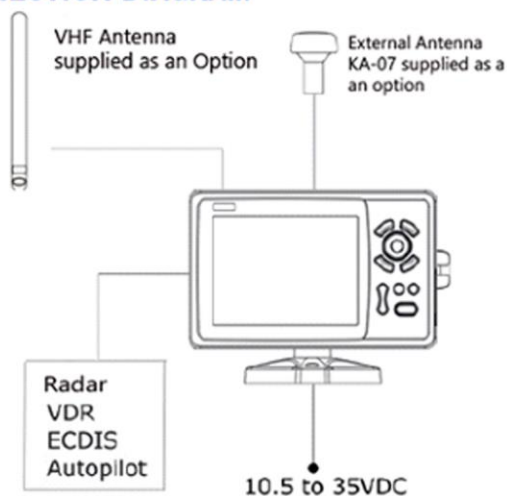
EQUIPMENT LIST

STANDARD
Display unit
Operator manual
Installation materials and standard spare parts

OPTIONAL ACCESSORIES

GPS Antenna KA-07
VHF Antenna (KA-156 or KA-162_X) (For AIS communication)

INTERCONNECTION DIAGRAM



DISPLAY UNIT

